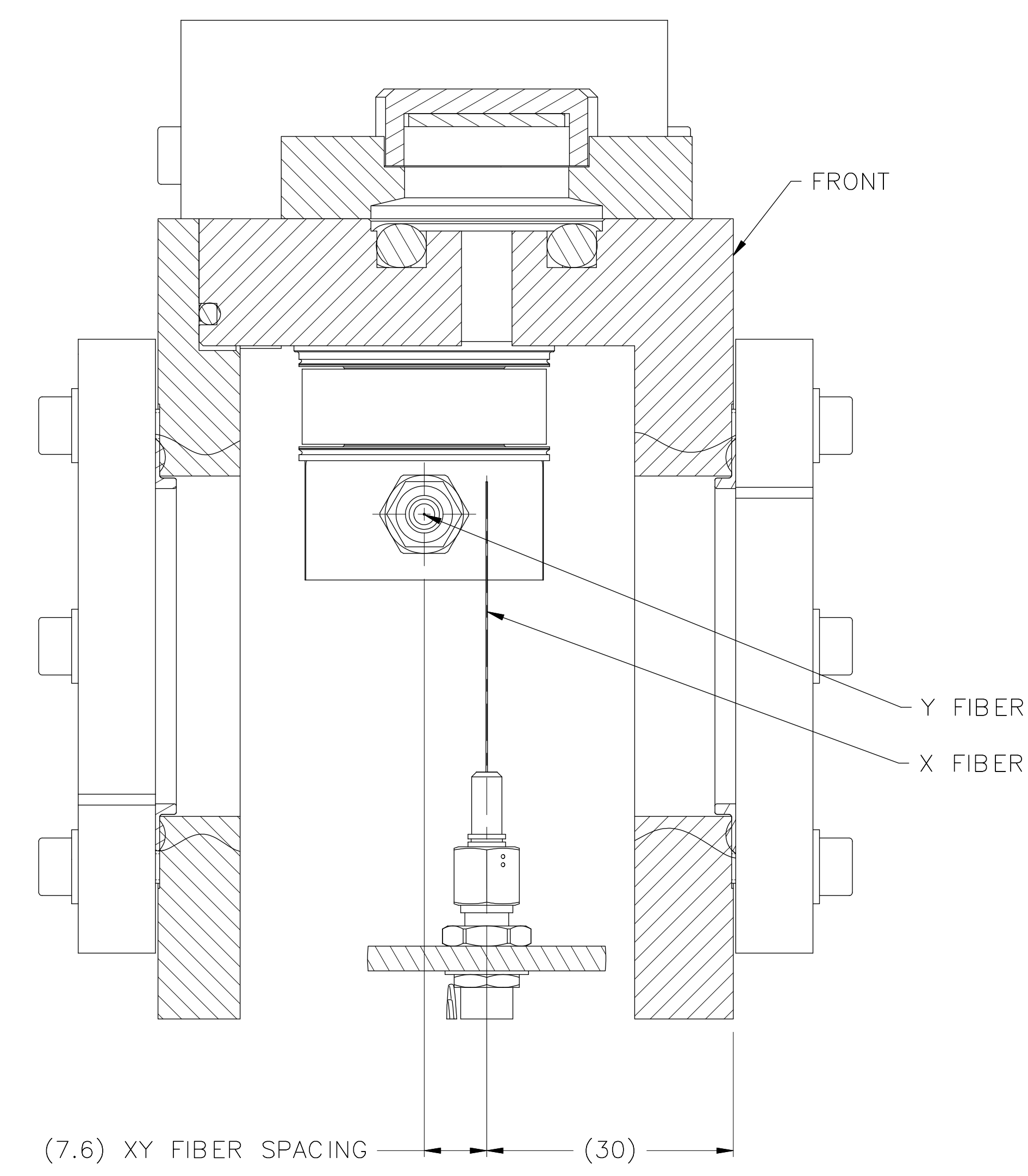
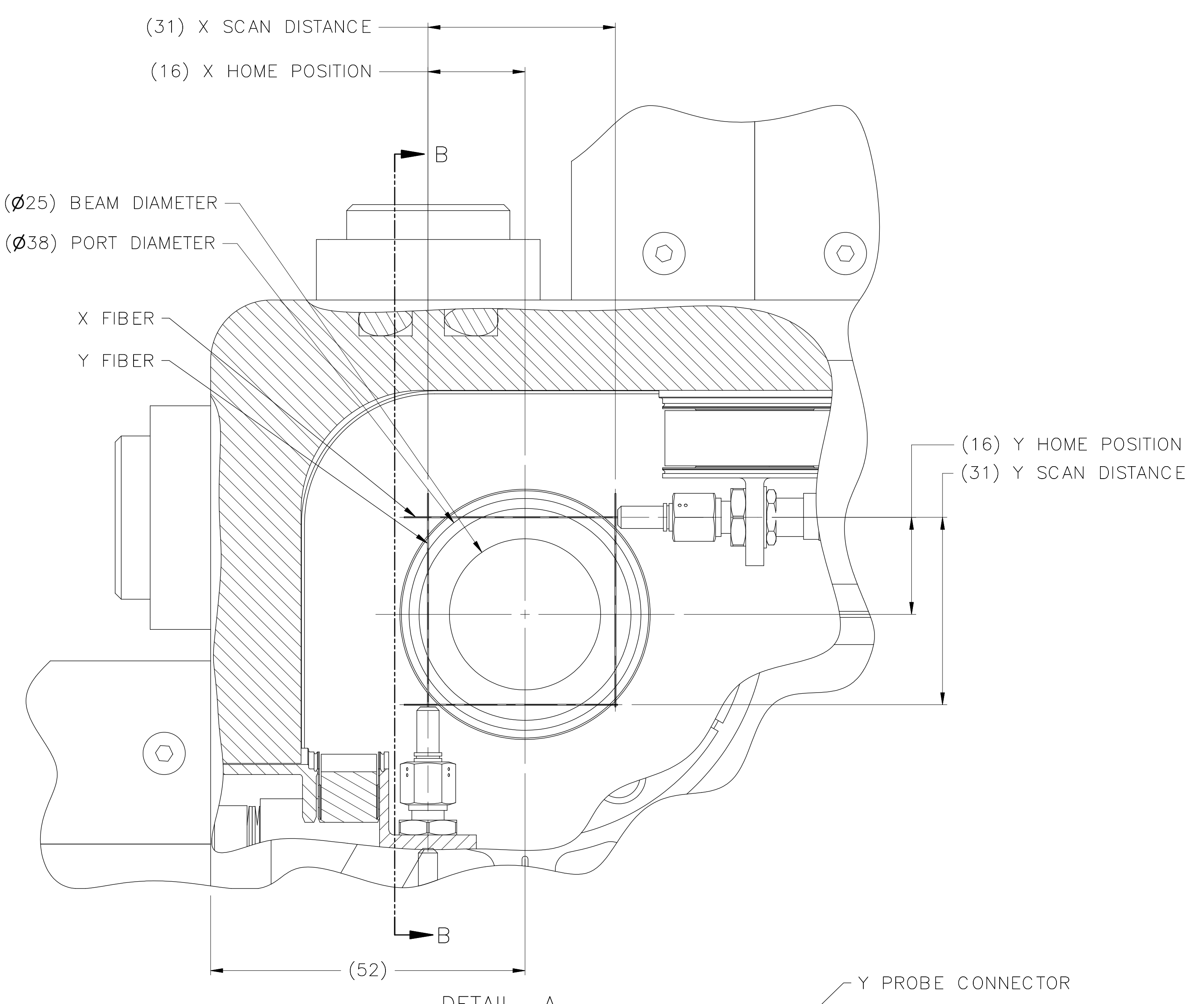


CONFIDENTIALITY
 THE CONTENTS OF THIS DRAWING INCLUDE CONFIDENTIAL INFORMATION WHICH IS THE SOLE PROPERTY OF D-PACE. ANY USE, DISCLOSURE OR REPRODUCTION OF THIS DRAWING, IN WHOLE OR IN PART, WITHOUT THE PRIOR WRITTEN AUTHORIZATION OF D-PACE IS STRICTLY PROHIBITED.

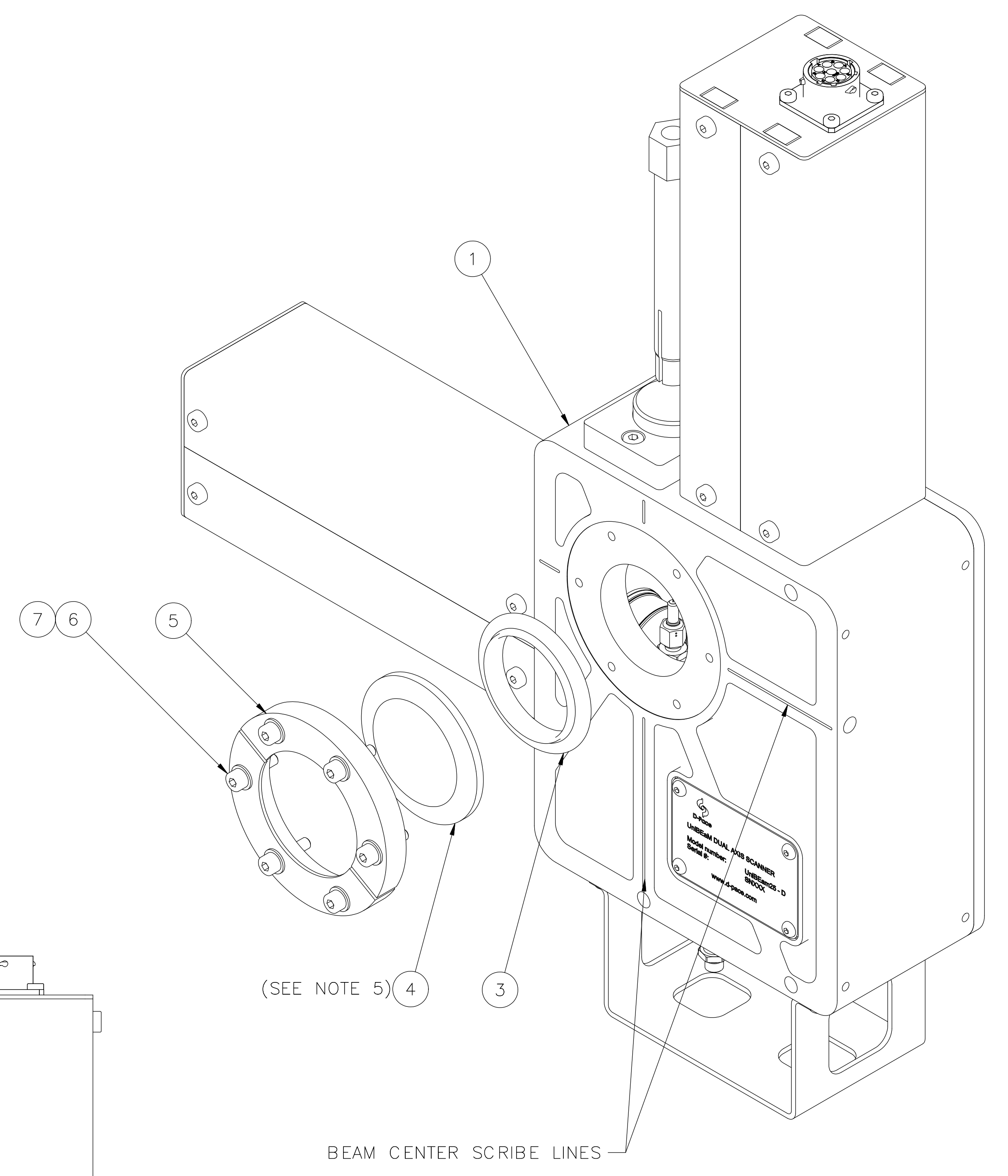
REVISION HISTORY		DCN	BY	DATE	APPROVED
REV	DESCRIPTION				
A	INITIAL RELEASE			10/11/2016	D.POTKINS



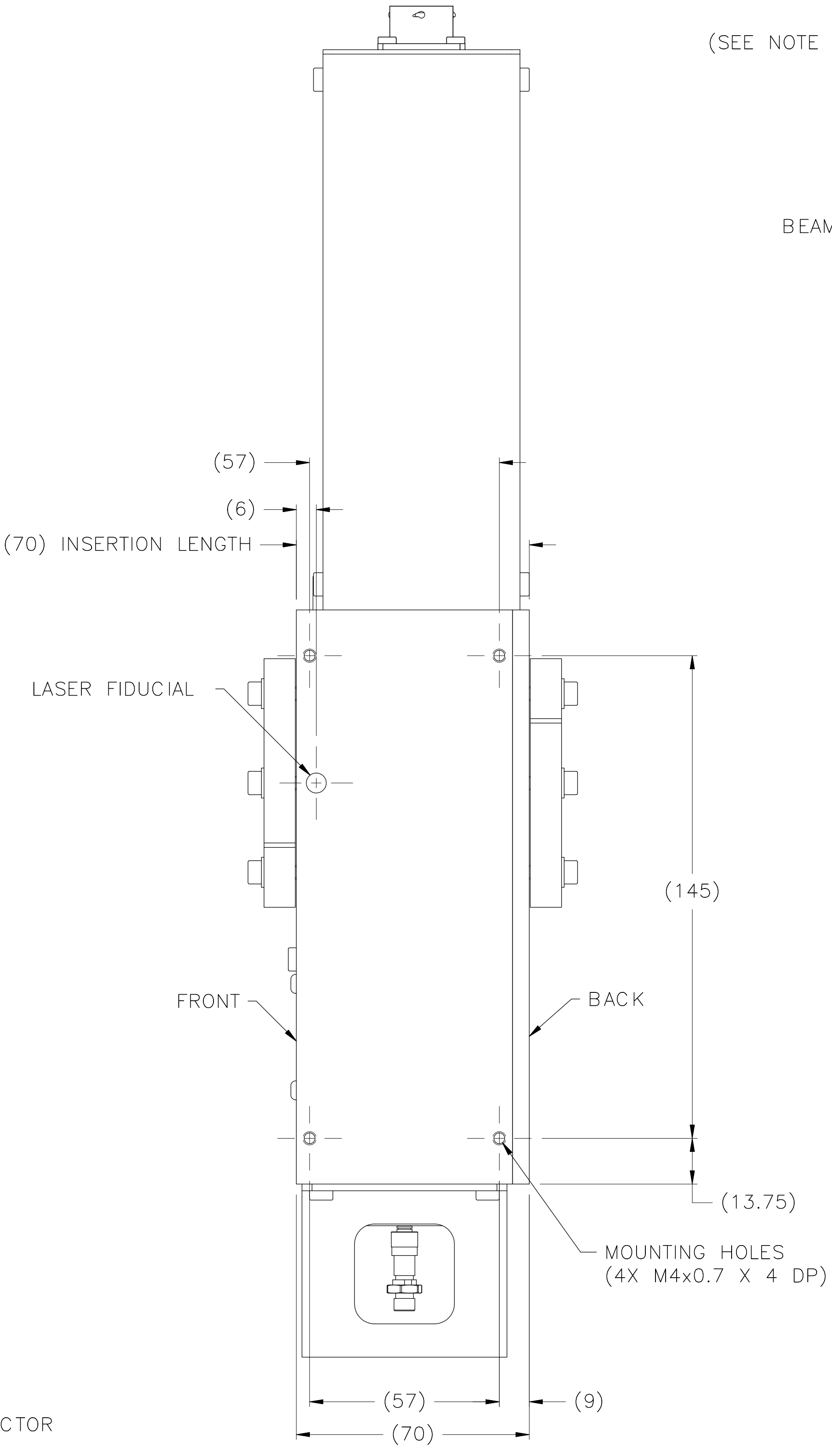
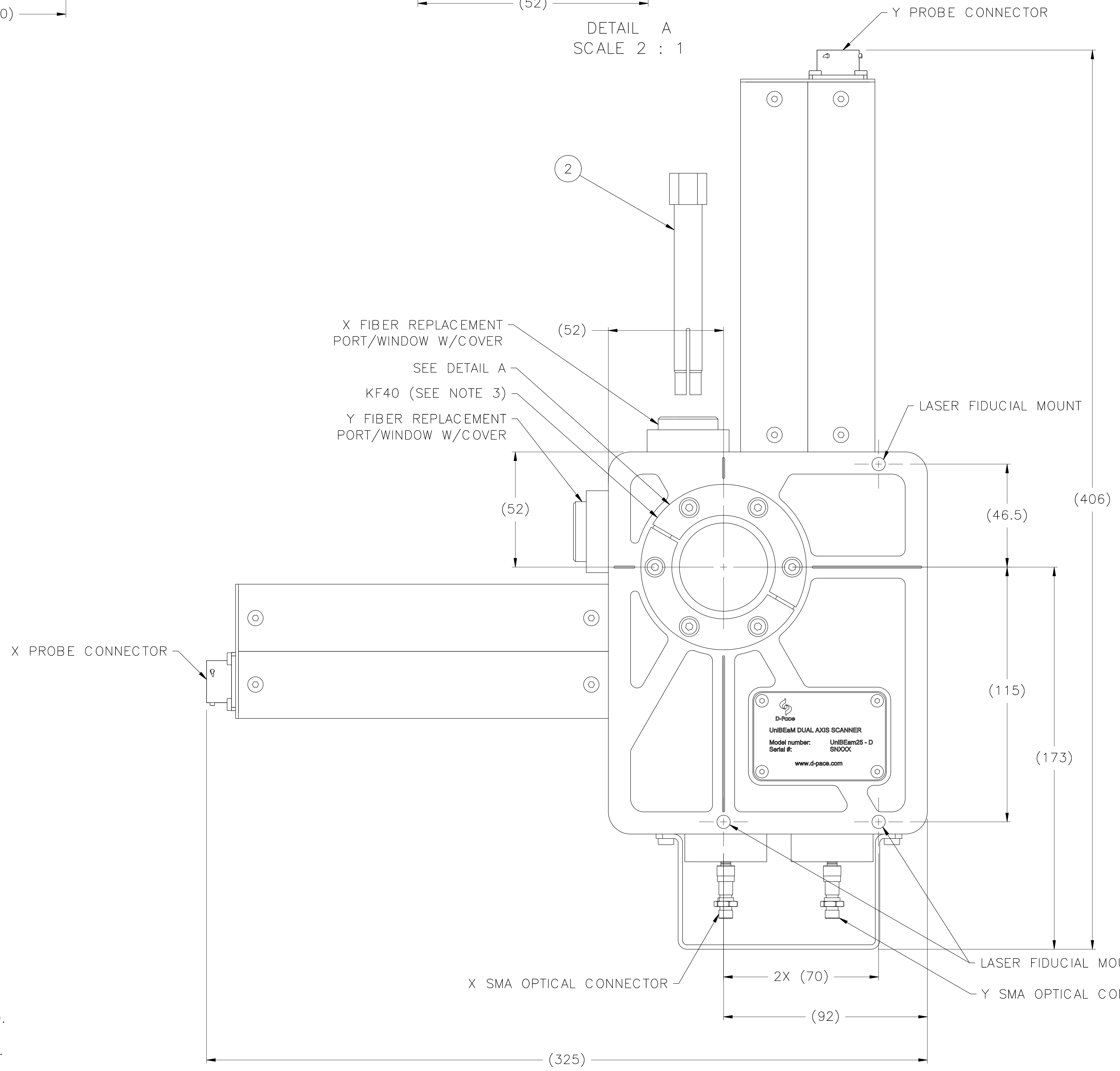
SECTION B-B
 SCALE 2 : 1



DETAIL A
 SCALE 2 : 1



BEAM CENTER SCRIBE LINES



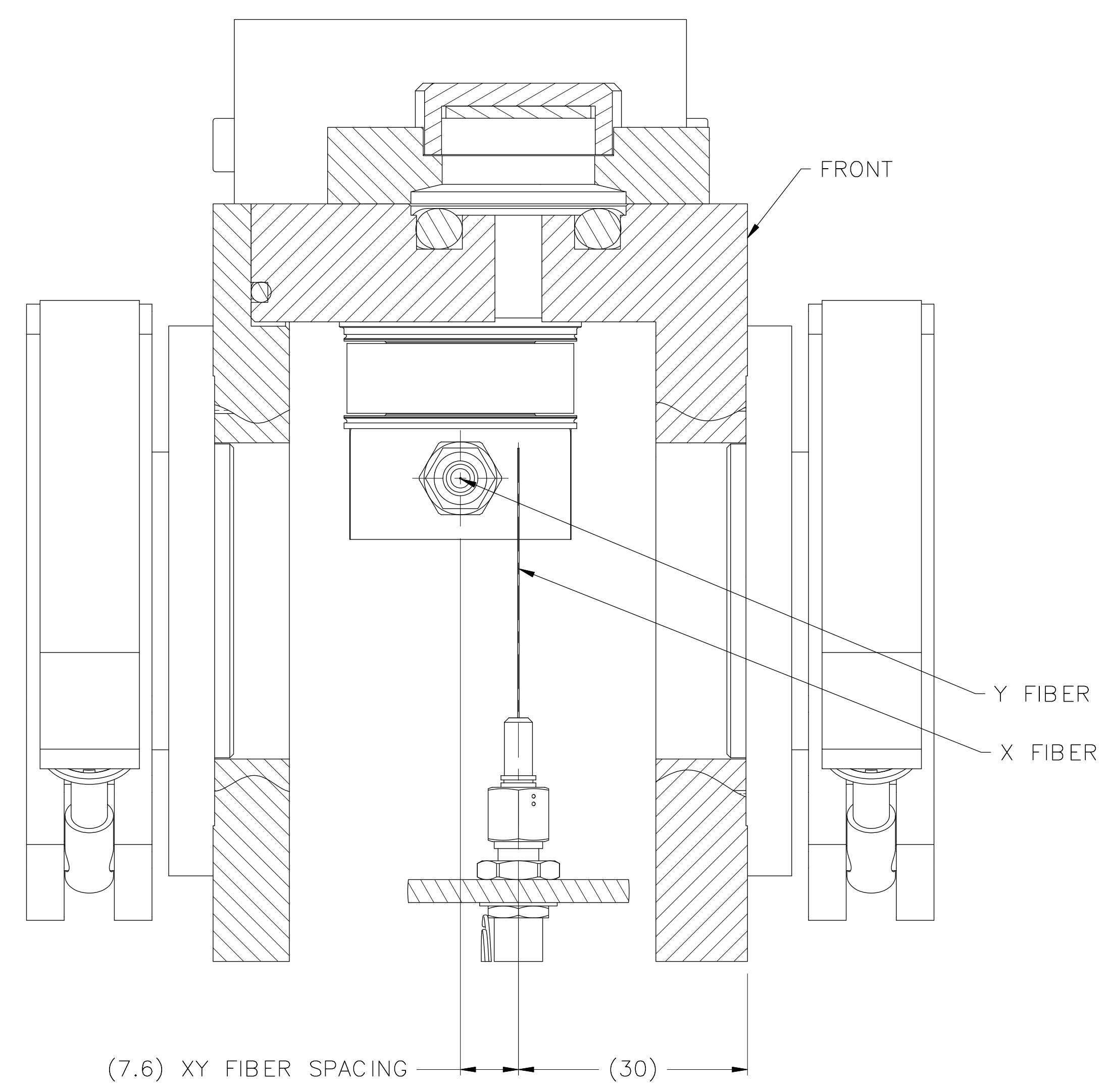
- NOTES:
- 1 TO REPLACE FIBER, VENT VACUUM AND REMOVE FIBER REPLACEMENT PORT WINDOW, INSTALL FIBER WITH TOOL PROVIDED.
 - 2 PORT WINDOW COVER TO BE INSTALLED PRIOR TO SCANNING TO BLOCK AMBIENT LIGHT.
 - 3 ENTRANCE & EXIT PORT CAN BE REVERSED. PROBE ROTATIONAL ORIENTATION CAN BE CHANGED.
 - 4 LASER FIDUCIAL MOUNT Ø6.012/6.008 X 12.50 DP.
 - 5 REMOVE ITEM 4 BEFORE INSTALLATION.

ITEM	QTY	PART NUMBER	DESCRIPTION
7	12		WASHER, FLAT, M4, SS
6	12		SCREW, SHC, M4 X 16 LG, SS
5	2	QF40-150-BC	BULK HEAD CLAMP, KF (QF) 40, AL, KJL
4	2	QF40-150-AB	BLANK FLANGE, KF (QF) 40, AL, KJL
3	2	QF40-150-ARB	CENTERING RING, KF (QF) 40, AL, BUNA-N, KJL
2	1	1901588	OPTICAL SCANNER FILAMENT INSERTION TOOL
1	1	1800629	UniBeaM25 SCANNER PROBE

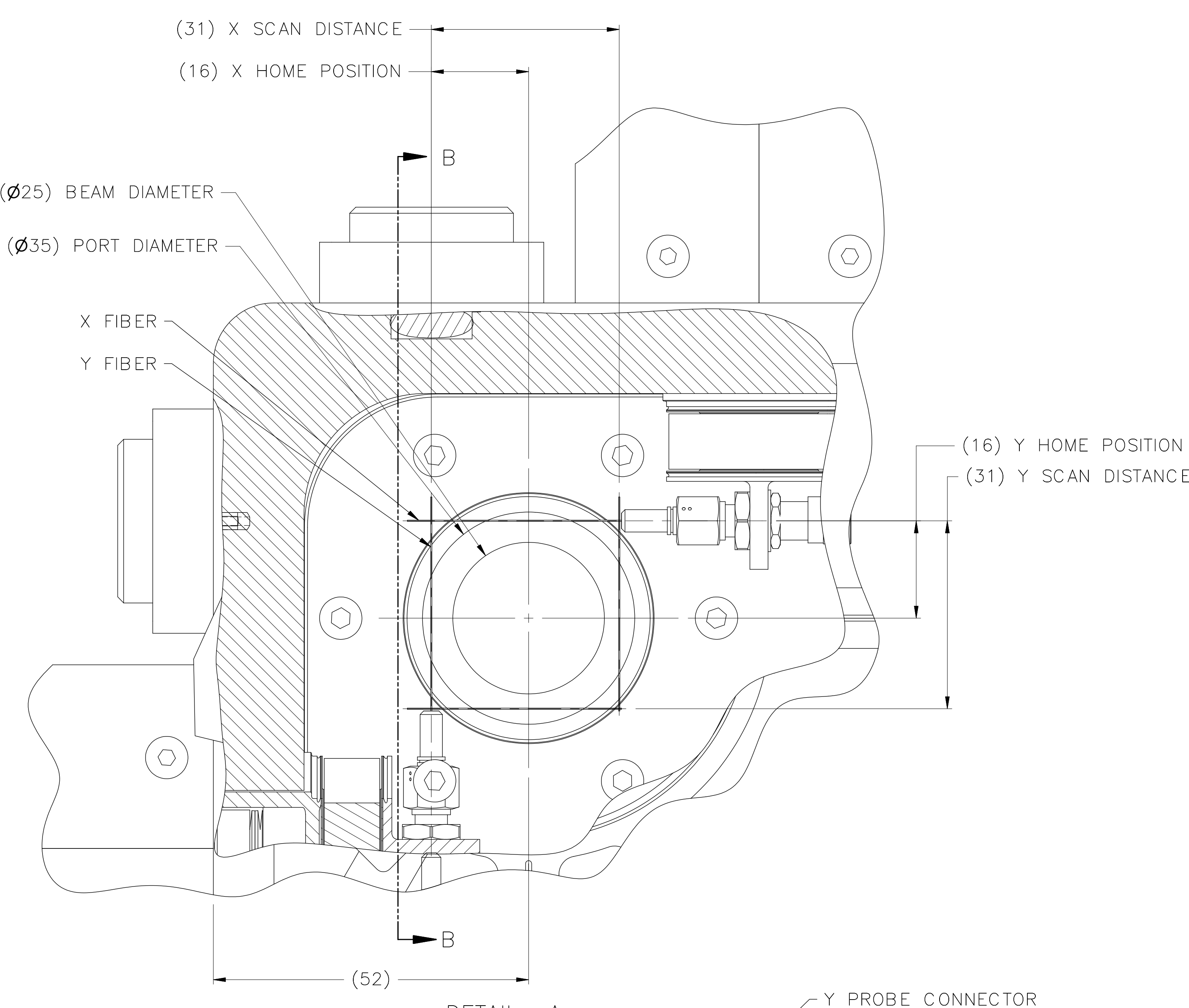
DO NOT SCALE FROM DRAWING METRIC DRAWING ALL DIMENSIONS IN MILLIMETRES TOLERANCES UNLESS OTHERWISE SPECIFIED LINEAR X ±1 X.X ±0.3 X.XXX ±0.1 X.XXX ±0.03 ANGULAR ±0.5° SURFACE FINISH 1.6	APPROVALS DRAWN: J.THEROUX CHECKED: D.POTKINS DESIGNED: D-PACE MODED: J.THEROUX	DATE 07/11/2016 10/11/2016 15/05/2016 07/11/2016	DEHNEL - PARTICLE ACCELERATOR COMPONENTS & ENGINEERING, INC. P.O. BOX 201, NELSON BC, CANADA, V1L 5P9 TEL: (250) 352-5162 www.d-pace.com TITLE: UniBeaM25-KF, SCANNER PROBE SIZE: A0 DRAWING NO: 1800672 REV: A SCALE: 1:1 WEIGHT: 4.57 kg SHEET: 1 OF 1
---	---	--	---

CONFIDENTIALITY
THE CONTENTS OF THIS DRAWING INCLUDE CONFIDENTIAL INFORMATION WHICH IS THE SOLE PROPERTY OF D-PACE. ANY USE, DISCLOSURE OR REPRODUCTION OF THIS DRAWING, IN WHOLE OR IN PART, WITHOUT THE PRIOR WRITTEN AUTHORIZATION OF D-PACE IS STRICTLY PROHIBITED.

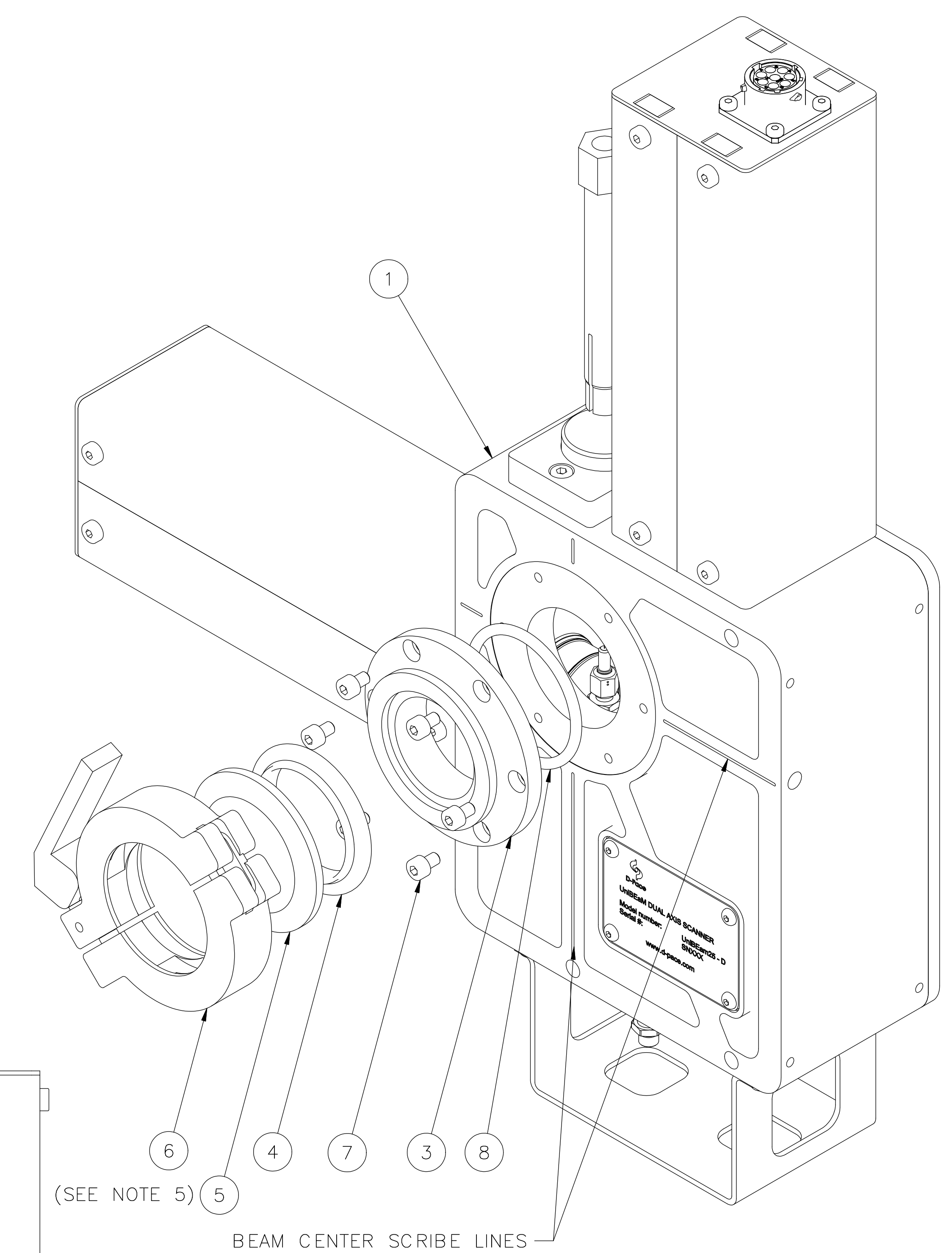
REVISION HISTORY		DCN	BY	DATE	APPROVED
REV	DESCRIPTION				
A	INITIAL RELEASE			10/11/2016	D.POTKINS



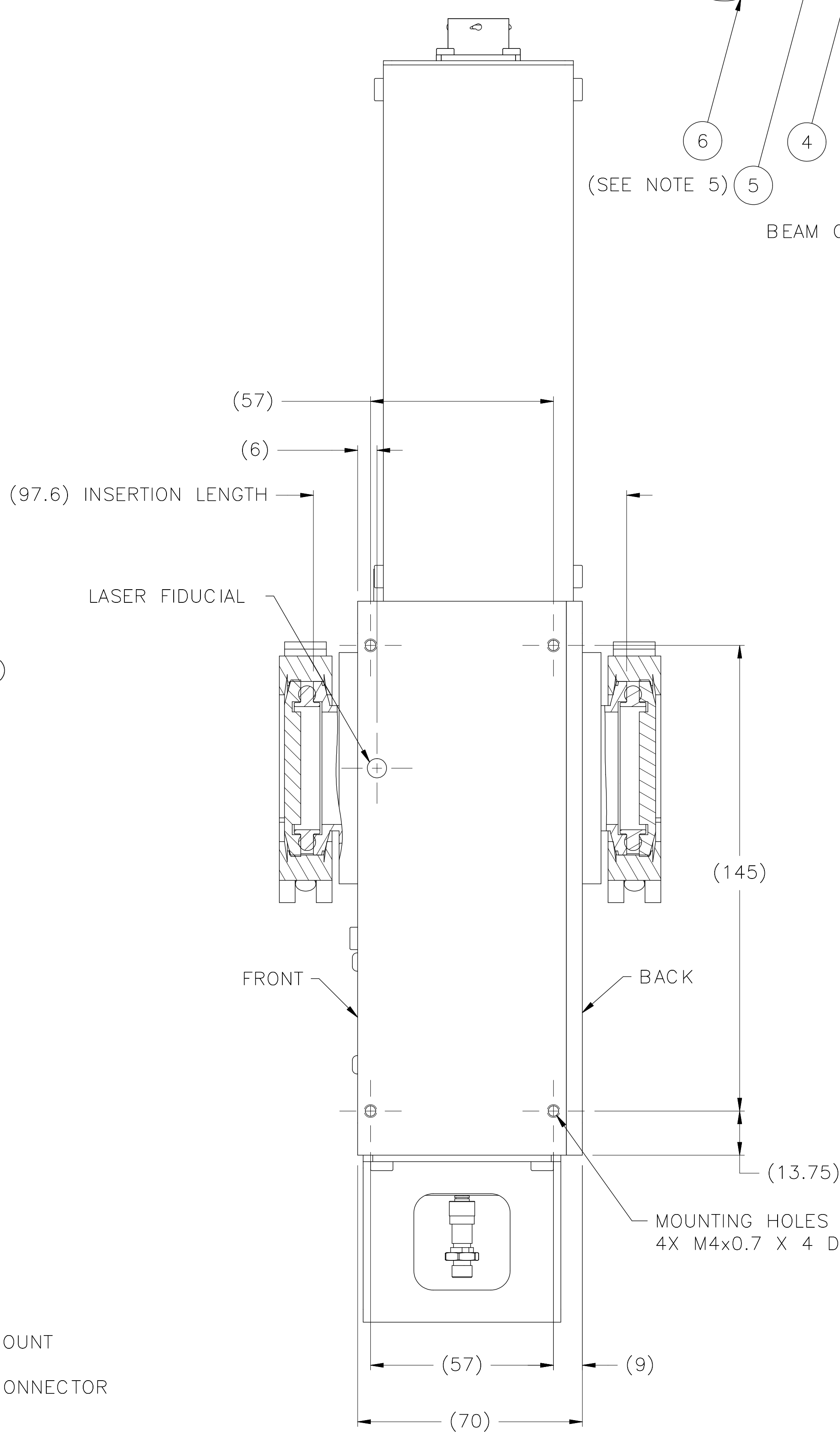
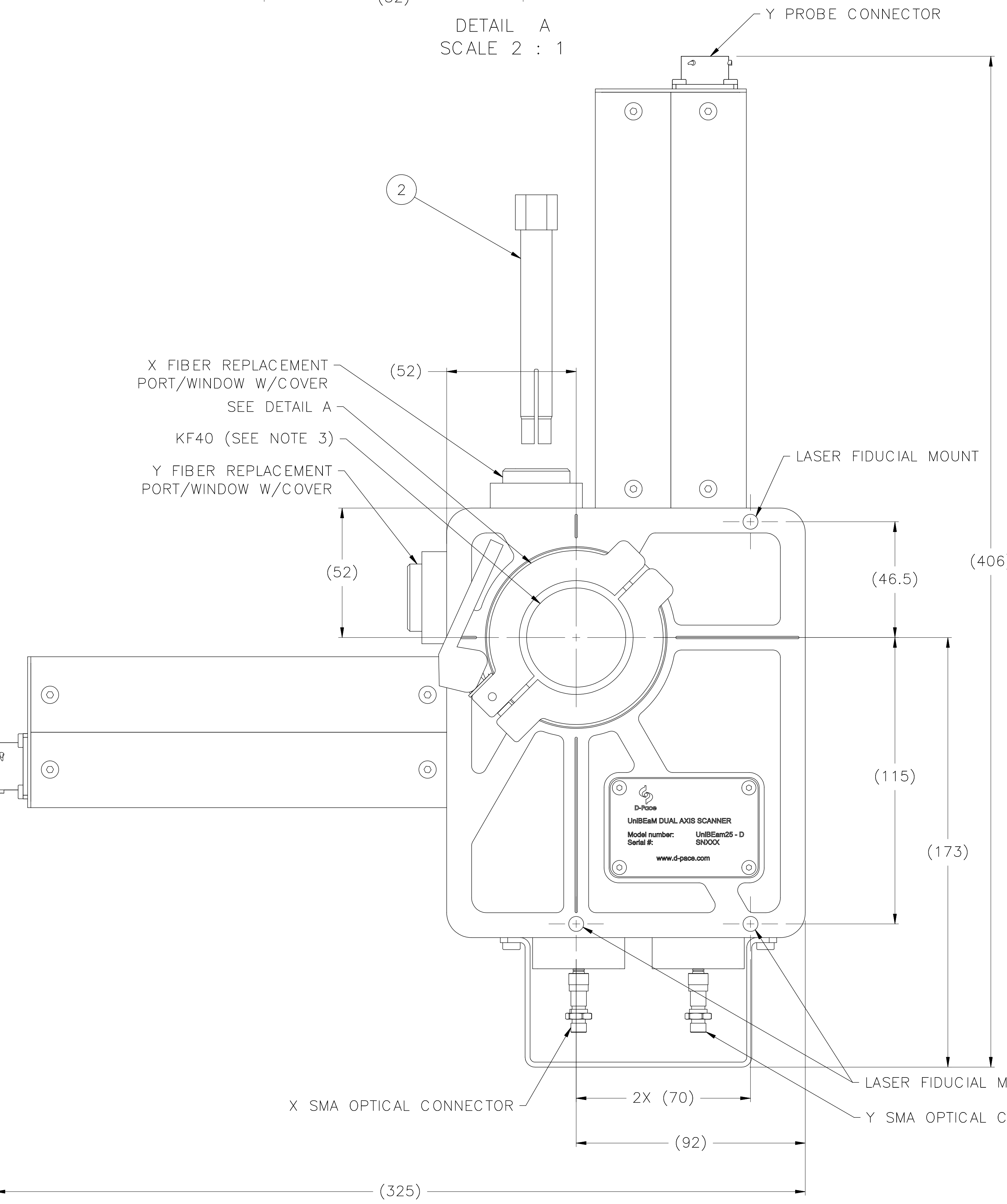
SECTION B-B
SCALE 2 : 1



DETAIL A
SCALE 2 : 1



BEAM CENTER SCRIBE LINES



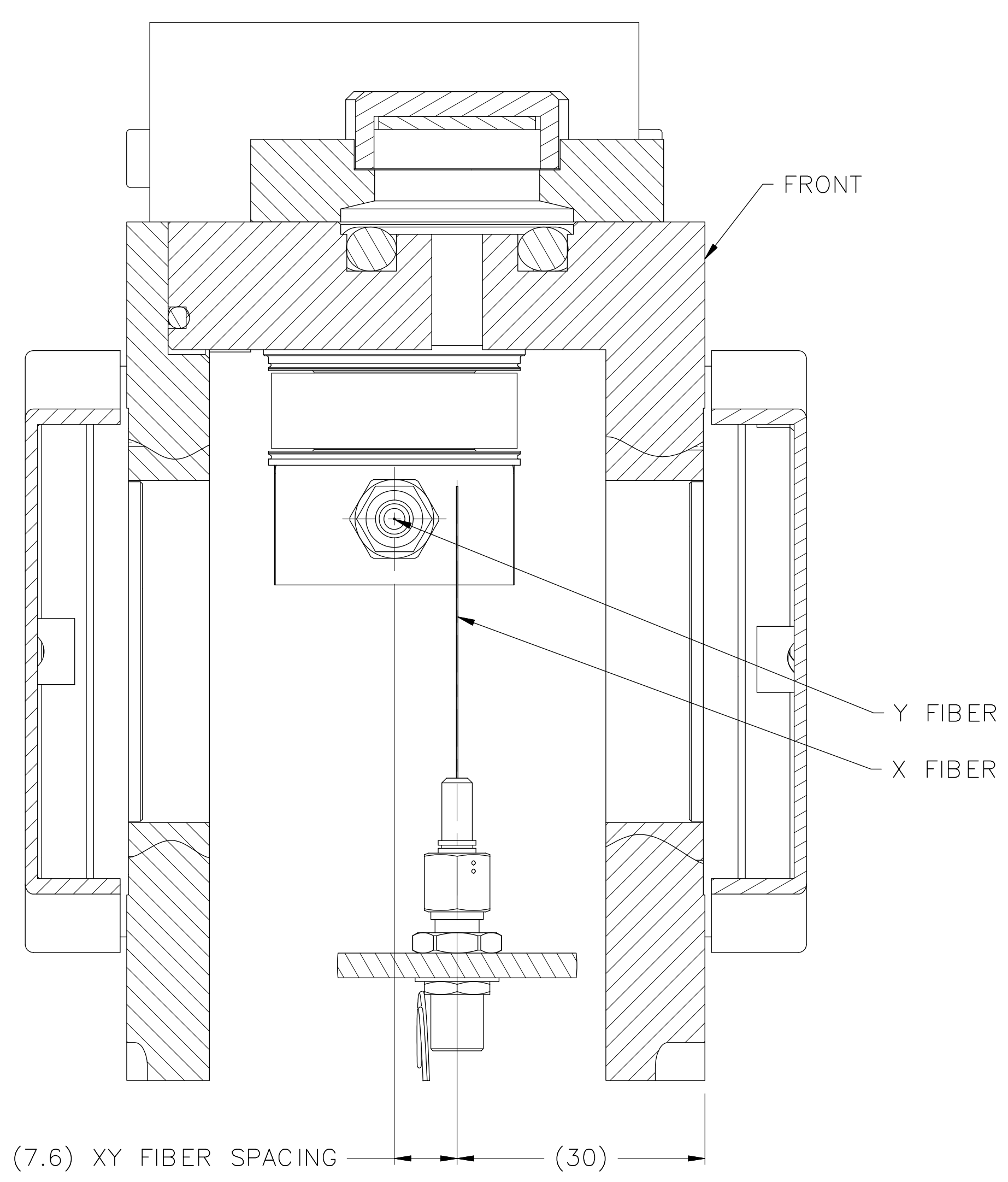
- NOTES:
- 1 TO REPLACE FIBER, VENT VACUUM AND REMOVE FIBER REPLACEMENT PORT WINDOW, INSTALL FIBER WITH TOOL PROVIDED.
 - 2 PORT WINDOW COVER TO BE INSTALLED PRIOR TO SCANNING TO BLOCK AMBIENT LIGHT.
 - 3 ENTRANCE & EXIT PORT CAN BE REVERSED. PROBE ROTATIONAL ORIENTATION CAN BE CHANGED.
 - 4 LASER FIDUCIAL MOUNT Ø6.012/6.008 X 12.50 DP.
 - 5 REMOVE ITEM 5 BEFORE INSTALLATION.

ITEM	QTY	PART NUMBER	DESCRIPTION
8	2		O-RING, #-223, VITON
7	12		SCREW, SHC, M4 X 6 LG, SS
6	2	QF40-150-CHA	CLAMP, KF40 LEVER, AL, KJL
5	2	QF40-150-AB	BLANK FLANGE, KF (QF) 40, AL, KJL
4	2	QF40-150-ARB	CENTERING RING, KF (QF) 40, AL, BUNA-N, KJL
3	2	1901689	ADAPTER, KF40 BULKHEAD TO CLAMP
2	1	1901588	OPTICAL SCANNER FILAMENT INSERTION TOOL
1	1	1800629	UniBeaM25 SCANNER PROBE

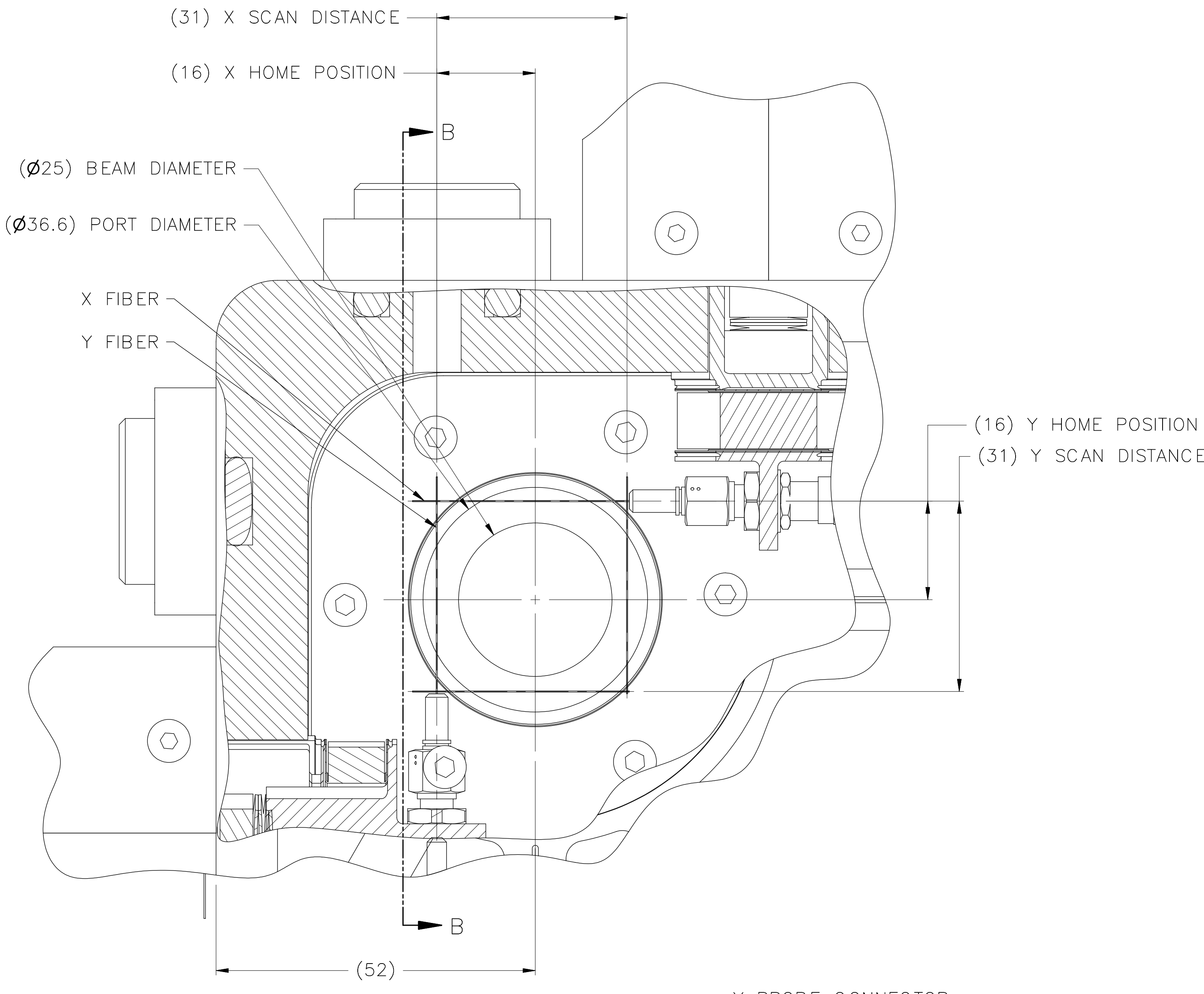
DO NOT SCALE FROM DRAWING		APPROVALS		DATE		PARTS LIST	
METRIC DRAWING		DRAWN		08/11/2016		DEHNEL - PARTICLE ACCELERATOR COMPONENTS & ENGINEERING, INC.	
ALL DIMENSIONS IN MILLIMETRES		J.THEROUX		08/11/2016		P.O. BOX 201, NELSON BC, CANADA, V1L 5P9	
TOLERANCES UNLESS OTHERWISE SPECIFIED		CHECKED		10/11/2016		D-Pace TEL: (250) 352-5162 www.d-pace.com	
LINEAR		DESIGNED		15/05/2016		TITLE	
X ±1		D-PACE		08/11/2016		UniBeaM25-KFQ	
X.X ±0.3		WOODED				SCANNER PROBE	
X.XXX ±0.1						SIZE	
X.XXX ±0.03						A0	
ANGULAR ±0.5°						DRAWING NO.	
SURFACE FINISH 1.6						1800673	
						REV	
						A	
THIRD ANGLE PROJECTION		OS		SCALE 1:1		WEIGHT 4.72 kg SHEET 1 OF 1	
		NEXT ASSY		SYSTEM			

CONFIDENTIALITY
THE CONTENTS OF THIS DRAWING INCLUDE CONFIDENTIAL INFORMATION WHICH IS THE SOLE PROPERTY OF D-FACE. ANY USE, DISCLOSURE OR REPRODUCTION OF THIS DRAWING, IN WHOLE OR IN PART, WITHOUT THE PRIOR WRITTEN AUTHORIZATION OF D-FACE IS STRICTLY PROHIBITED.

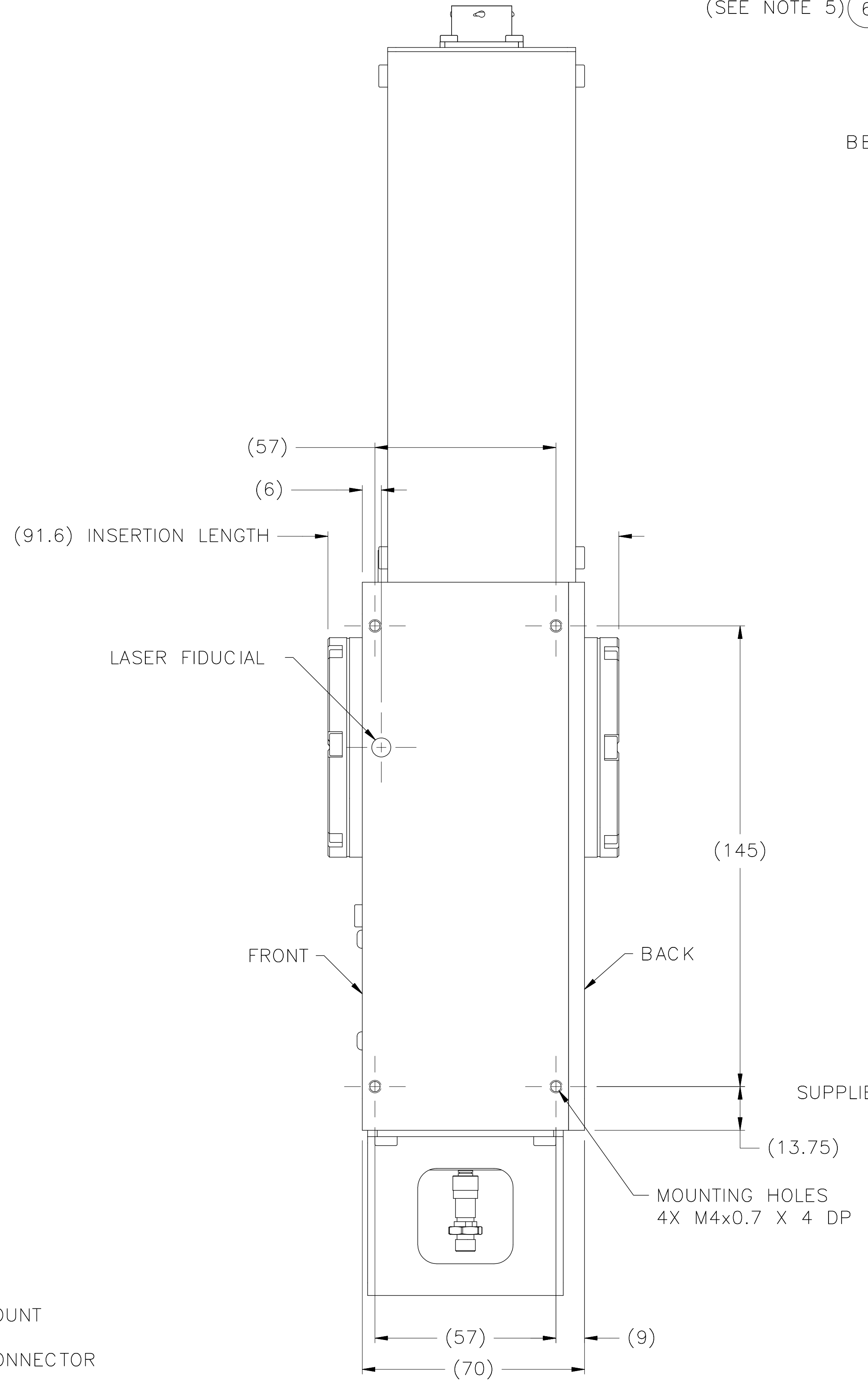
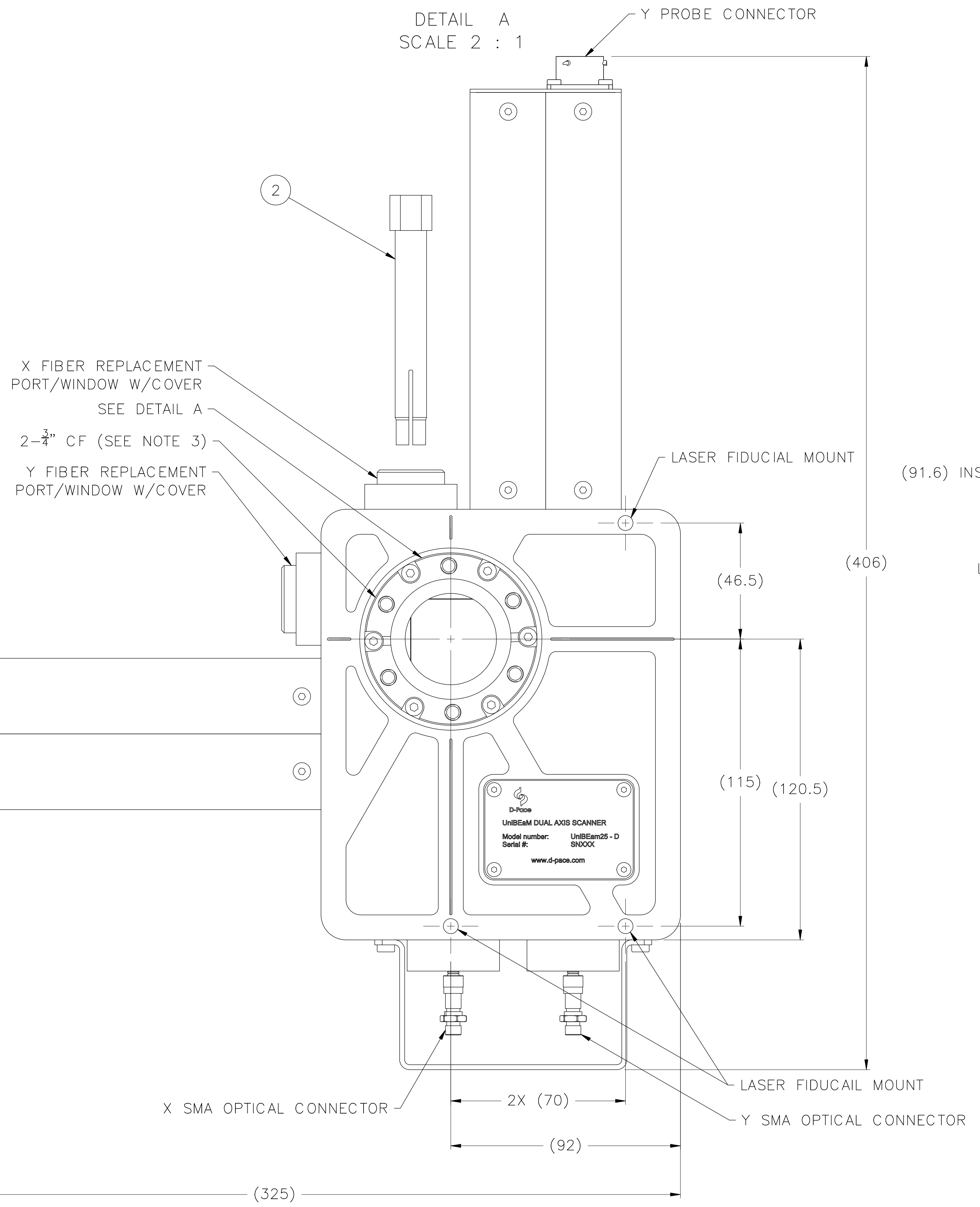
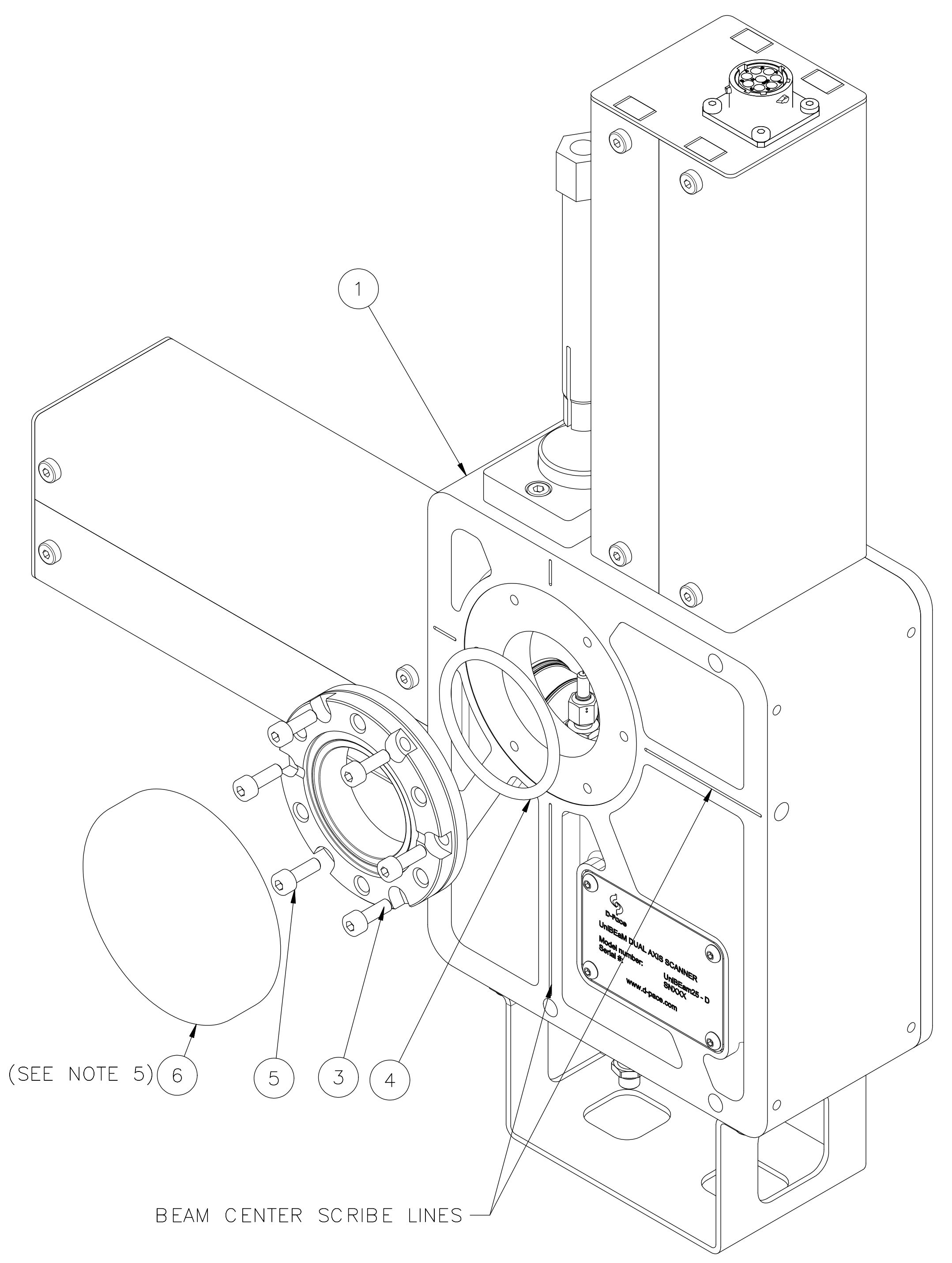
REVISION HISTORY		DCN	BY	DATE	APPROVED
REV	DESCRIPTION				
A	INITIAL RELEASE			10/11/2016	D.POTKINS



SECTION B-B
SCALE 2 : 1



DETAIL A
SCALE 2 : 1



- NOTES:
- TO REPLACE FIBER, VENT VACUUM AND REMOVE FIBER REPLACEMENT PORT WINDOW, INSTALL FIBER WITH TOOL PROVIDED.
 - PORT WINDOW COVER TO BE INSTALLED PRIOR TO SCANNING TO BLOCK AMBIENT LIGHT.
 - ENTRANCE & EXIT PORT CAN BE REVERSED. PROBE ROTATIONAL ORIENTATION CAN BE CHANGED.
 - LASER FIDUCIAL MOUNT Ø6.012/6.008 X 12.50 DP.
 - REMOVE ITEM 6 BEFORE INSTALLATION.

PARTS LIST		DATE		DEHNEL - PARTICLE ACCELERATOR COMPONENTS & ENGINEERING, INC.	
6	2	CF PROTECTION COVER	APPROVALS	08/11/2016	P.O. BOX 201, NELSON BC, CANADA, V1L 5P9
5	12	SCREW, SHC, M4 X 12 LG, SS	DRAWN	J.THEROUX	TEL: (250) 352-5162 www.d-face.com
4	2	O-RING, #-223, VITON	CHECKED	D.POTKINS	
3	2	1901719 ADAPTER, KF40 BULKHEAD TO 2-3/4" CF, RM	DESIGNED	D-FACE	15/05/2016
2	1	1901588 OPTICAL SCANNER FILAMENT INSERTION TOOL	WORKED	J.THEROUX	08/11/2016
1	1	1800629 UniBeamM25 SCANNER PROBE			
ITEM	QTY	PART NUMBER	DESCRIPTION		
DO NOT SCALE FROM DRAWING		METRIC DRAWING		APPROVALS	
ALL DIMENSIONS IN MILLIMETRES		OTHERWISE SPECIFIED		DATE	
TOLERANCES UNLESS OTHERWISE SPECIFIED		LINEAR		ANGULAR	
X ±1		X.X ±0.3		X.XXX ±0.1	
X.XXX ±0.03		ANGULAR ±0.5°		SURFACE FINISH 1.6µ	
THIRD ANGLE PROJECTION		SCALE 1:1		WEIGHT 4.53 kg	
NEXT ASSY		SYSTEM		SHEET 1 OF 1	
UNIVERSITY OF SASKATCHEWAN		UNIVERSITY OF SASKATCHEWAN		UNIVERSITY OF SASKATCHEWAN	